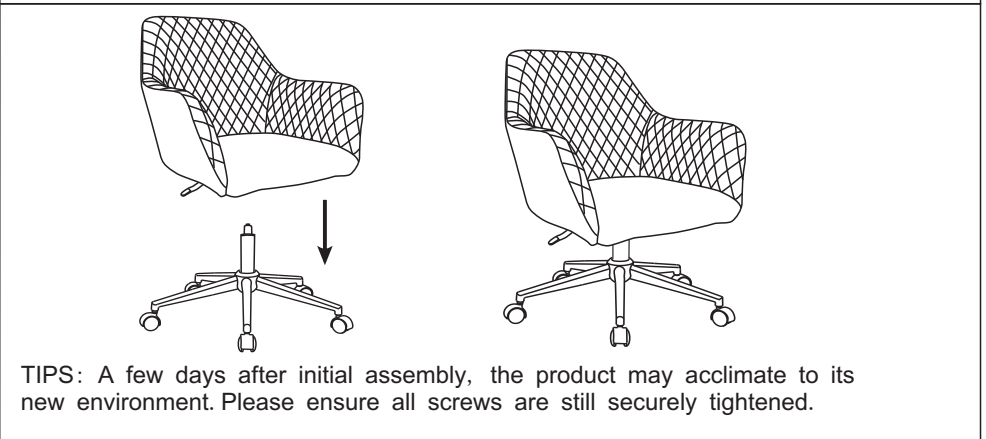
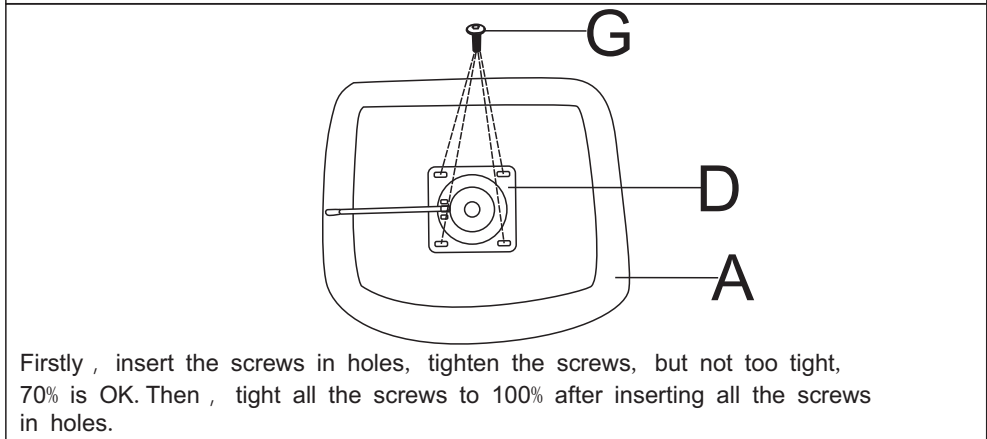
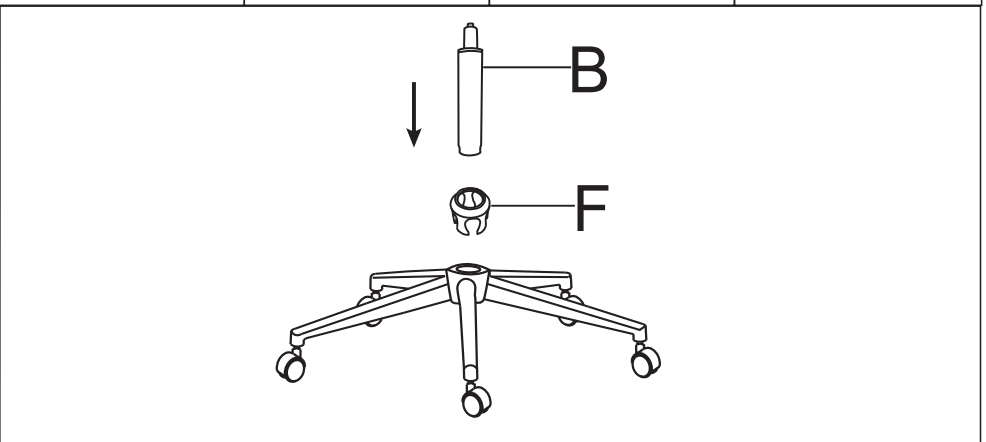
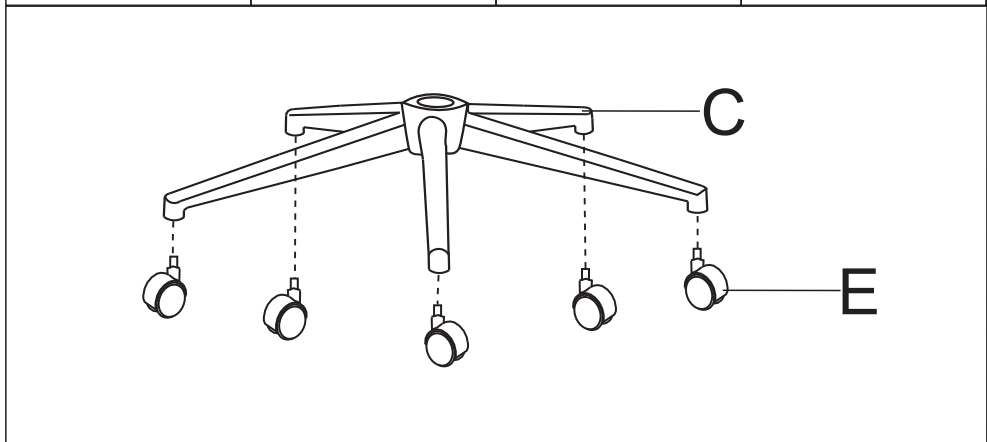
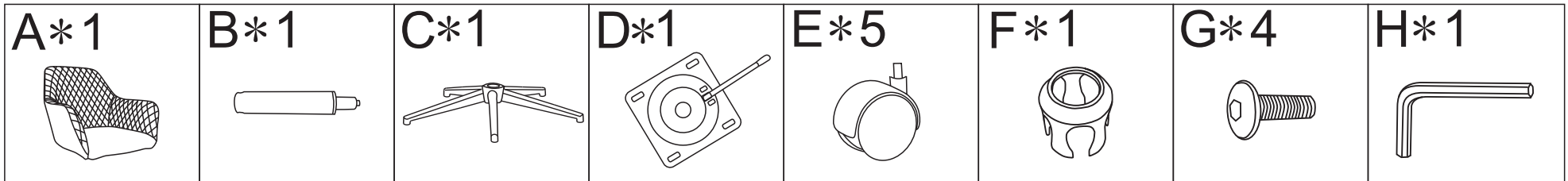


SKU PP194947AAG

Assembly instruction

Thank you for your purchase !

IMPORTANT ! Please make sure you have received all of parts and read the assembly instructions completely before assembling the product. We have been working on providing good products to you. However, in the rare instance that your product is defective or missing parts, please don't hesitate to contact our customer service to submit parts request or warranty claims.



Firstly , insert the screws in holes, tighten the screws, but not too tight, 70% is OK. Then , tight all the screws to 100% after inserting all the screws in holes.

TIPS: A few days after initial assembly, the product may acclimate to its new environment. Please ensure all screws are still securely tightened.